

# Liquid fertilizer range

They can be installed indoors (using an old building) or outdoors.

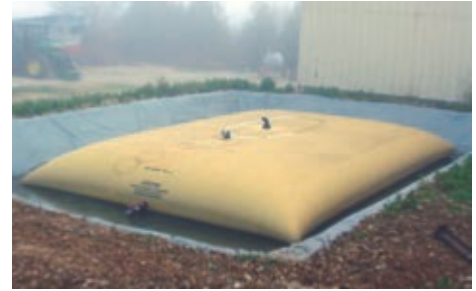
We recommend retention equipment, which is often imposed by national regulations.

This can be:

- a sloping pit
- a basin with a breeze-block wall with preformed waterproof lining in elbow and fixed on the upper surrounds with eyelets.

Our tanks can be tailor-made and the position of the openings can be changed on request.

**With the quality of our product and correct installation, protection of the environment has been guaranteed for 50 years.**



*50m<sup>3</sup> nitrogenous solution with external retention basin*



*50m<sup>3</sup> nitrogenous solution with internal retention basin*

## TANK DIMENSIONS AND CAPACITIES HPV 13 YELLOW from 1 to 500 m<sup>3</sup>

Part number	Volume in m <sup>3</sup>	Empty dimensions in m	Max height in m	Empty weight in kg
010000-ZCB3F	10	5,70 x 2,96	1,00	46
015000-ZCB3F	15	4,80 x 4,44	1,15	59
020000-ZCB3F	20	6,10 x 4,44	1,00	74
025000-ZCB3F	25	7,00 x 4,44	1,25	85
030000-ZCB3F	30	6,25 x 5,92	1,25	101
040000-ZCB3F	40	7,60 x 5,92	1,45	122
050000-ZCB3F	50	9,25 x 5,92	1,40	148
060000-ZCB3F	60	10,25 x 5,92	1,55	164
070000-ZCB3F	70	9,00 x 7,40	1,60	180
080000-ZCB3F	80	10,25 x 7,40	1,60	205
090000-ZCB3F	90	11,35 x 7,40	1,55	226
099000-ZCB3F	99	10,30 x 8,88	1,55	249
110000-ZCB3F	110	11,40 x 8,88	1,55	275
130000-ZCB3F	130	13,00 x 8,88	1,55	312
150000-ZCB3F	150	14,80 x 8,88	1,55	355
200000-ZCB3F	200	16,40 x 10,36	1,55	457

N.B.: To calculate the required capacity of a liquid fertilizer tank, we recommend that you start with a tank truck multiple (+/-23 m<sup>3</sup>) with a safety margin (provide for approximately 5 to 10m<sup>3</sup>).

We recommend the following ratios:

- 30 m<sup>3</sup> for storing a nitrogen truck
- 50 m<sup>3</sup> for storing two nitrogen trucks
- 80 m<sup>3</sup> for storing three nitrogen trucks
- 99 m<sup>3</sup> for storing four nitrogen trucks, etc.

# TANK

**WARRANTY**  
**TANK**  
**100%**  
**10 years**

AGRICULTURAL STORAGE

## MAIN ADVANTAGES FOR THIS APPLICATION

D & H works with you on your tailored projects. Use safe storage, adaptable to your available space.

## TECHNICAL FABRIC

- HPV 13 range: high resistance woven 100% polyester with PVC coating (1 300 g/m<sup>2</sup> minimum – yellow).
- Double sided UV stabilised
- Tear strength: 500 N minimum
- Tensile strength: 400 DaN/5 cm minimum

## STANDARD ACCESSORIES

### Capacity ≤ 99 m<sup>3</sup>

#### E11-AZT01

No. 1: DN 100 gas removal vent on 120 mm sub-plate

No. 2: one DN 50 polypropylene filling/emptying hole + ¼ turn flanged PP valve + DN50 (2") symmetrical coupling and cap

### Capacity ≥ à 100 m<sup>3</sup>

#### E11-AZT02

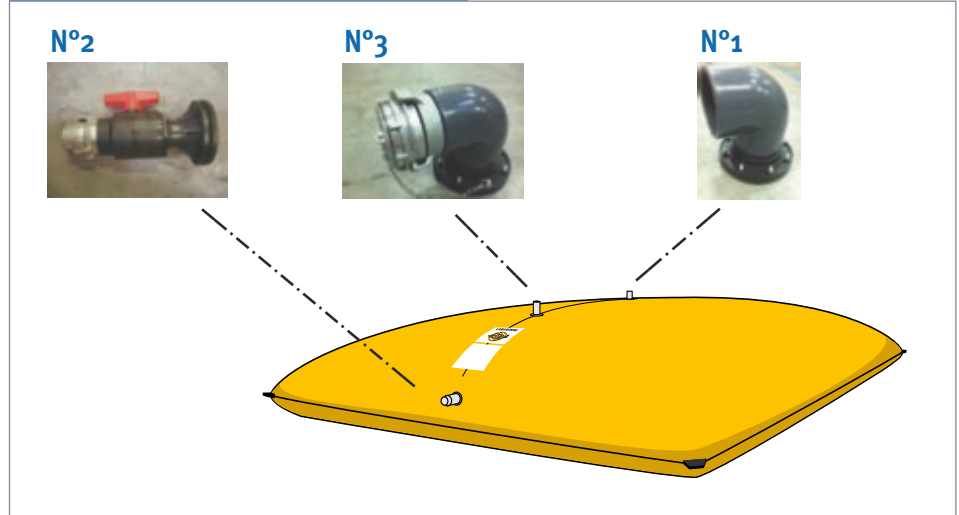
No. 1: DN 100 gas removal vent on 120 mm sub-plate

No. 2: one DN50 polypropylene filling/emptying hole  
DN 50 + ¼ turn flanged polypropylene valve + DN50 (2") symmetrical coupling and cap

No. 3: one DN 80 angled filling pipe with DN 80 (3") symmetrical coupling and cap

Consolidated corners with protection plates  
Repair kit & Leaflet

## SKELETON DIAGRAM



## HOMOLOGATION / CERTIFICATION

- Tank approved by many Chambers of Agriculture. Validation is mandatory before installing your tank.
- Recommendations from the French Ministry of Ecology dated 14 December 2010 on liquid fertilizer storage in flexible tanks

## WARRANTY

- 100% 10-year manufacturer warranty on fabric and manufacturing for the liquid fertilizer application.
- Please inquire for further details.



Did you know?

A great many of our nitrogen tanks are still in use after 30 years of reliable service!  
Secure and optimise your investments!



# Liquid fertilizer range

## RETENTION BASIN WITH WALL

### TECHNICAL FABRIC

- HPV06 range: high resistance woven 100% polyester with PVC coating (550 g/m<sup>2</sup> minimum – Various colours depending on stock).
- Double sided UV stabilised
- Tear strength: 200 N minimum
- Tensile strength: 200 DaN / 5 cm minimum

### INSTALLATION

- Rigid structure around the edge (breeze block walls, concrete...)
- Stable base (sand bed or concrete base).
- Watertight membrane fitted to the inner dimensions of the structure with parallelepiped shaping in the corners.
- Fixing reinforcement eyelets every 50 cm on the upper surrounds of the basin.
- Anti-puncture felting is included.

## BASIN DIMENSIONS AND CAPACITIES

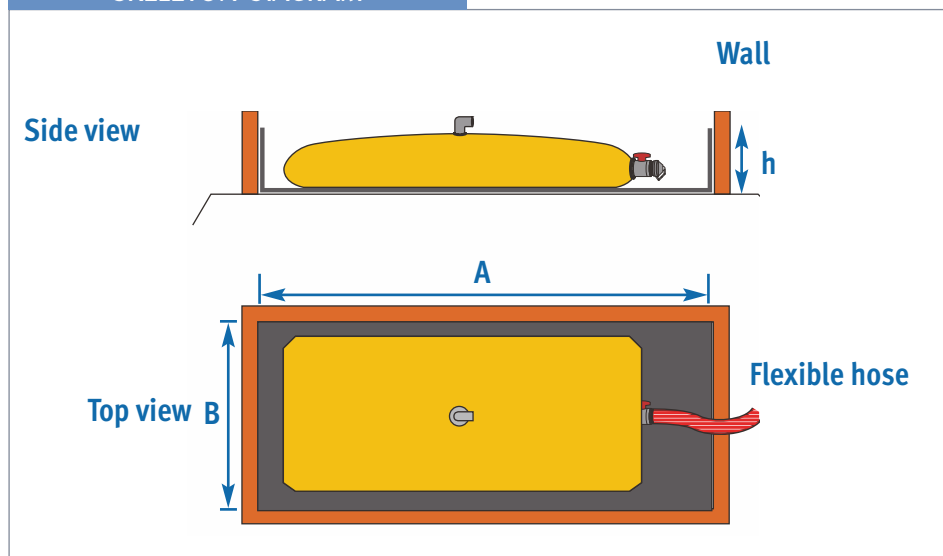
Part number	Volume tank in m <sup>3</sup>	Empty tank dimensions in m	Basin inner dimensions in m A x B x h	Minimum wall height in m
010MooARRF	10	5,70 x 2,96	7,00 x 3,20 x 0,41	0,50
015MooARRF	15	4,80 x 4,44	6,30 x 4,70 x 0,61	0,70
020MooARRF	20	6,10 x 4,44	7,60 x 4,70 x 0,61	0,70
025MooARRF	25	7,00 x 4,44	8,50 x 4,70 x 0,61	0,70
030MooARRF	30	6,25 x 5,92	7,50 x 6,50 x 0,71	0,80
040MooARRF	40	7,60 x 5,92	9,00 x 6,50 x 0,71	0,80
050MooARRF	50	9,25 x 5,92	11,00 x 6,50 x 0,71	0,80
060MooARRF	60	10,25 x 5,92	11,50 x 6,10 x 0,95	1,00
070MooARRF	70	9,00 x 7,40	10,50 x 8,00 x 0,92	1,00
080MooARRF	80	10,25 x 7,40	11,50 x 8,00 x 0,92	1,00
090MooARRF	90	11,35 x 7,40	13,00 x 8,00 x 0,92	1,00
099MooARRF	99	10,30 x 8,88	11,50 x 10,00 x 0,92	1,00
110MooARRF	110	11,40 x 8,88	13,00 x 10,00 x 0,92	1,00
130MooARRF	130	13,00 x 8,88	14,50 x 10,00 x 0,92	1,00
150MooARRF	150	14,80 x 8,88	16,50 x 10,00 x 0,92	1,00
200MooARRF	200	16,40 x 10,36	18,00 x 11,00 x 1,05	1,20

Other volumes and dimensions on request

N.B.: Retention basin dimensions are given as an indication only - We can make them to fit your building or requirements.

Warning: Basin dimensions must be very accurate - please contact us.

### SKELETON DIAGRAM



### Did you know?

Regulations evolve. Rainwater should not be left in the basins. Please contact us for our covering solutions and catchman areas.

# SLOPING RETENTION PIT

## TECHNICAL FABRIC

- HPVo6 range: high resistance woven 100% polyester with PVC coating (550 g/m<sup>2</sup> minimum – Various colours depending on stock).
- Double sided UV stabilised
- Tear strength: 200 N minimum
- Tensile strength: 200 DaN / 5 cm minimum

## INSTALLATION

- Dig a pit with 45° slopes
- Install a compacted and stabilised bed of sand
- Membrane sizes: empty tank width + 4,50 m empty tank length + 5 m.
- Anti-puncture felting is included.

## PIT DIMENSIONS AND CAPACITIES

Part number	Volume in m <sup>3</sup>	Empty tank dimensions in m	Dimensions membrane developed (+/- 2% en m)	Dimensions earthworks (bottom slope in m) A x B
010MooAFRF	10	5,70 x 2,96	10,50 x 7,40	6,60 x 3,10
015MooAFRF	15	4,80 x 4,44	9,80 x 8,90	5,90 x 4,50
020MooAFRF	20	6,10 x 4,44	11,10 x 8,90	7,20 x 4,50
025MooAFRF	25	7,00 x 4,44	12,00 x 8,90	8,10 x 4,50
030MooAFRF	30	6,25 x 5,92	11,00 x 9,90	7,30 x 6,00
040MooAFRF	40	7,60 x 5,92	12,50 x 9,90	8,60 x 6,00
050MooAFRF	50	9,25 x 5,92	14,00 x 9,90	10,30 x 6,00
060MooAFRF	60	10,25 x 5,92	15,00 x 9,90	11,30 x 6,00
070MooAFRF	70	9,00 x 7,40	14,00 x 11,90	10,10 x 7,50
080MooAFRF	80	10,25 x 7,40	15,50 x 11,90	11,30 x 7,50
090MooAFRF	90	11,35 x 7,40	16,00 x 11,90	12,40 x 7,50
099MooAFRF	99	10,30 x 8,88	15,00 x 12,90	11,30 x 9,00
110MooAFRF	110	11,40 x 8,88	16,00 x 12,90	12,40 x 9,00
130MooAFRF	130	13,00 x 8,88	17,50 x 12,90	14,10 x 9,00
150MooAFRF	150	14,80 x 8,88	19,50 x 12,90	15,80 x 9,00
200MooAFRF	200	16,40 x 10,36	21,50 x 14,80	17,50 x 10,50

Other volumes and dimensions on request

N.B.: Pit dimensions are given as an indication only. We recommend that you dig the pit and measure the actual size for the spread membrane.

### SKELETON DIAGRAM

