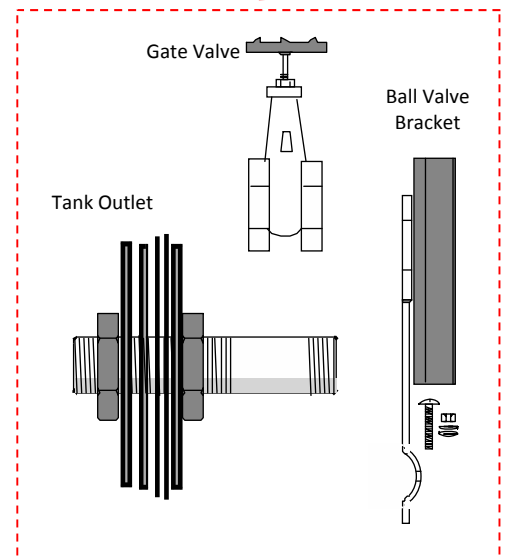
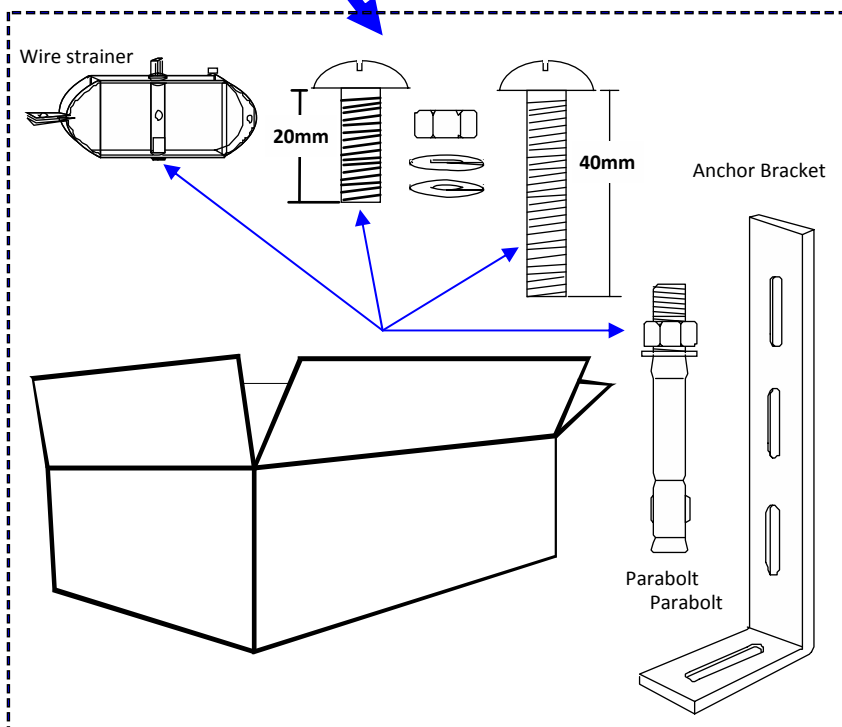
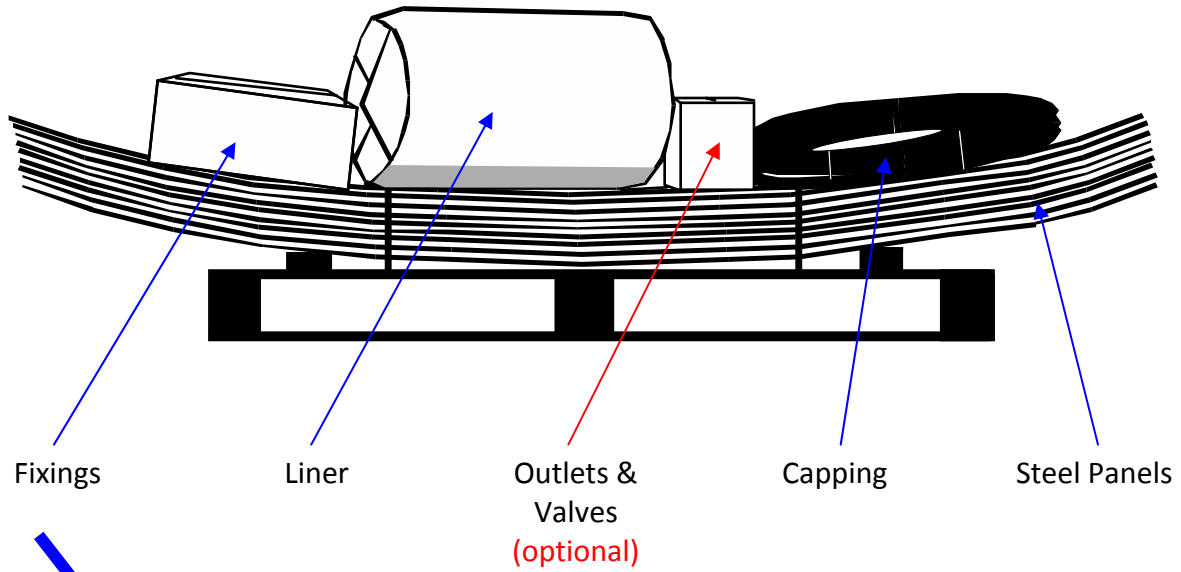


# Installation Instructions

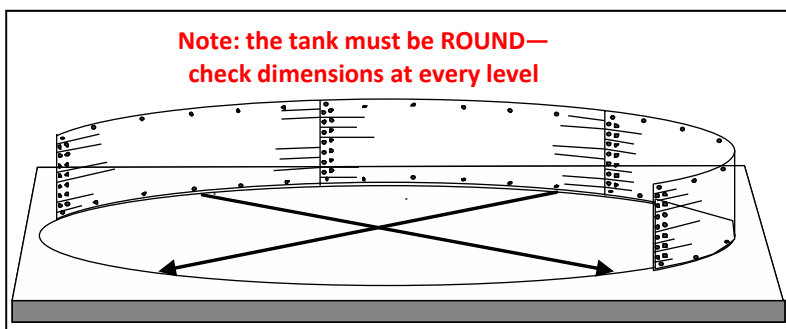
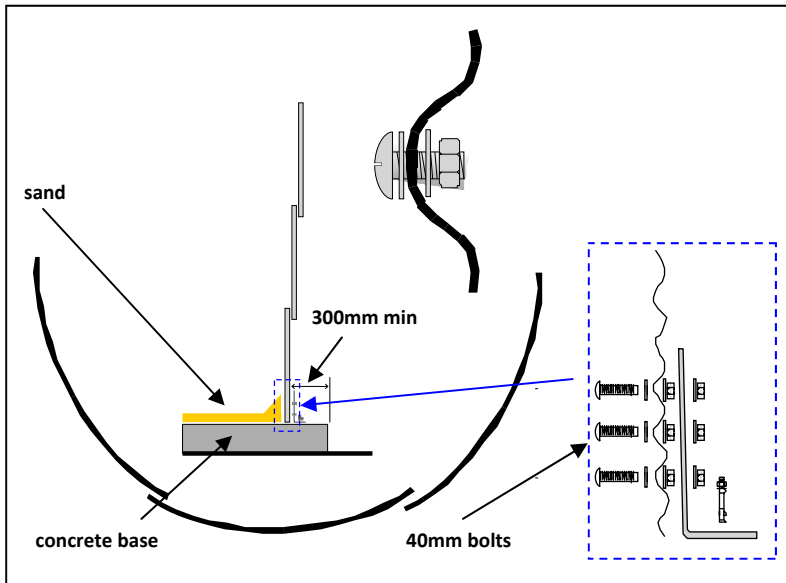
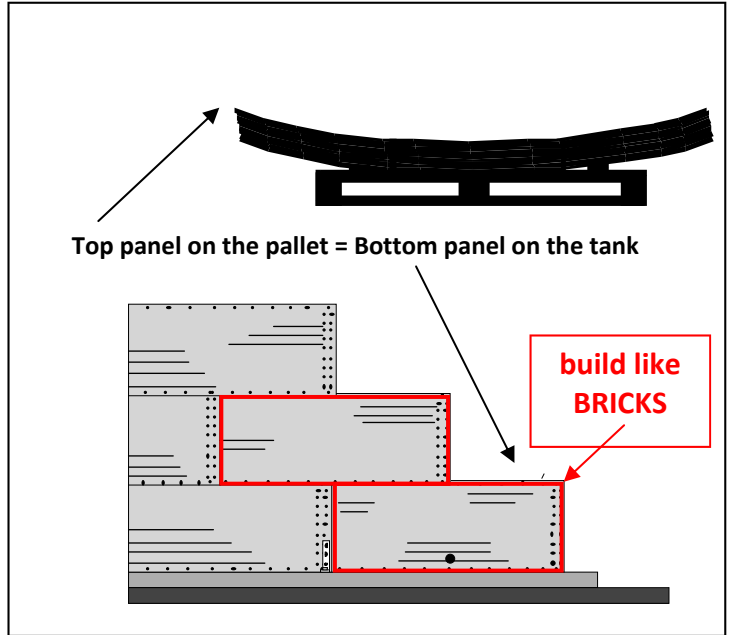
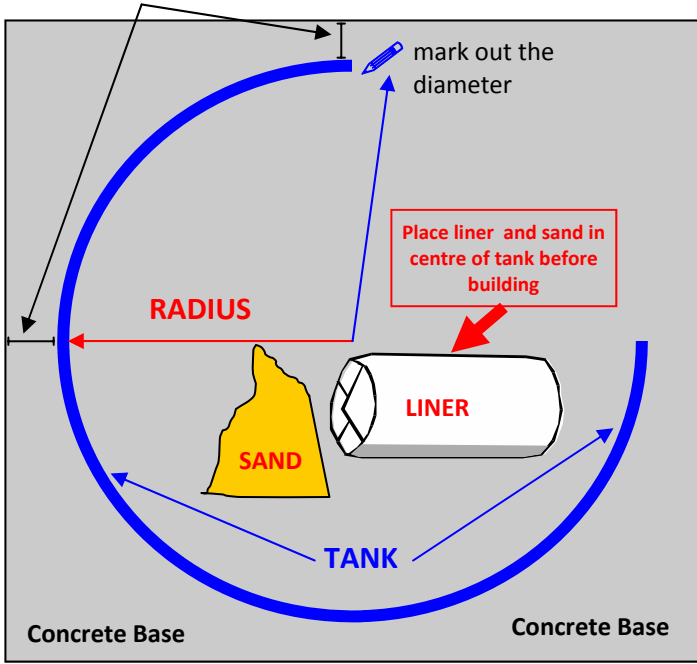
## ON THE PALLET



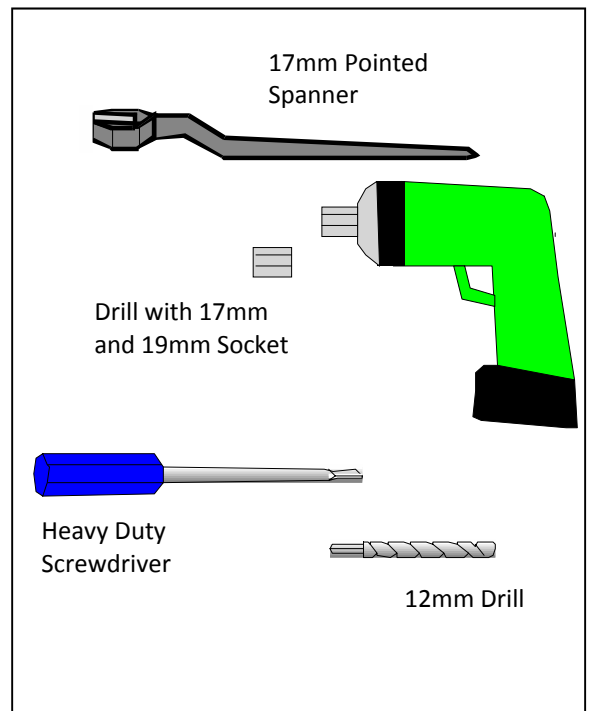
**OPTIONAL OUTLETS & VALVES**

# BUILDING THE TANK 1

Minimum 300mm base  
edge to tank

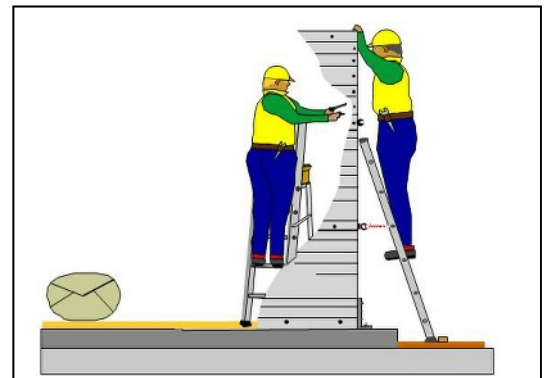
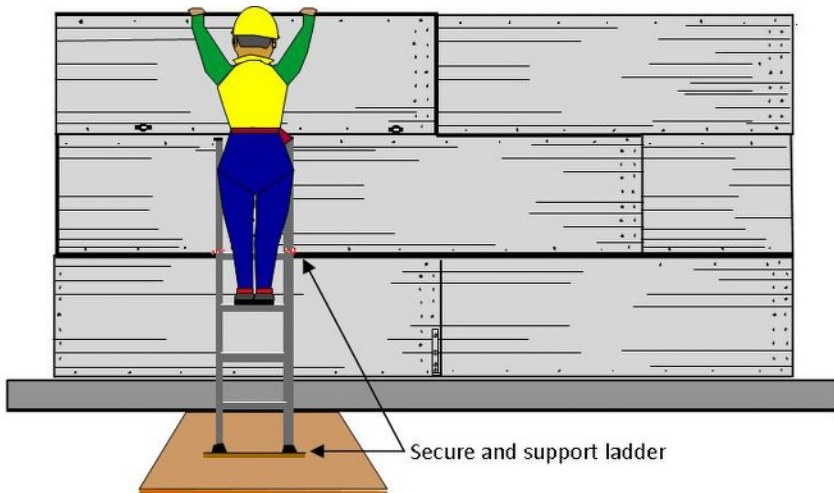
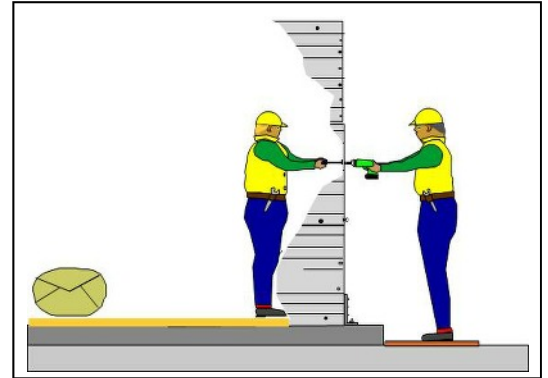
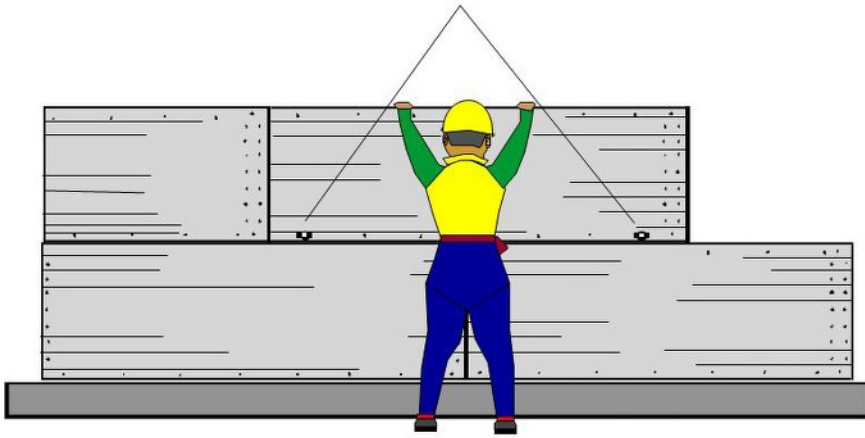


## Tools Required

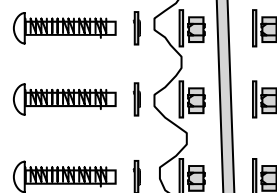


# BUILDING THE TANK 2

Use podger/screwdriver to position the panels

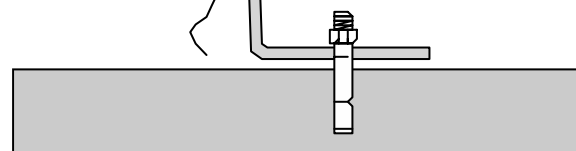


40mm bolts



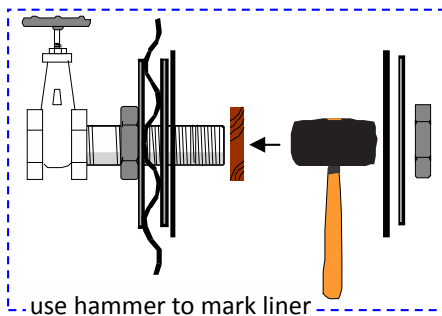
**NOTE**

Do not fix anchor bolts until 150mm of water is in the tank



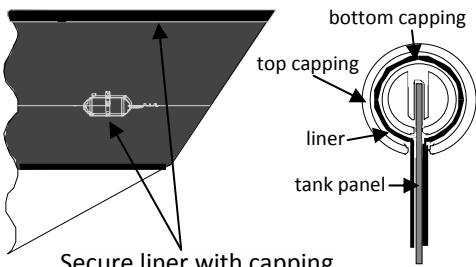
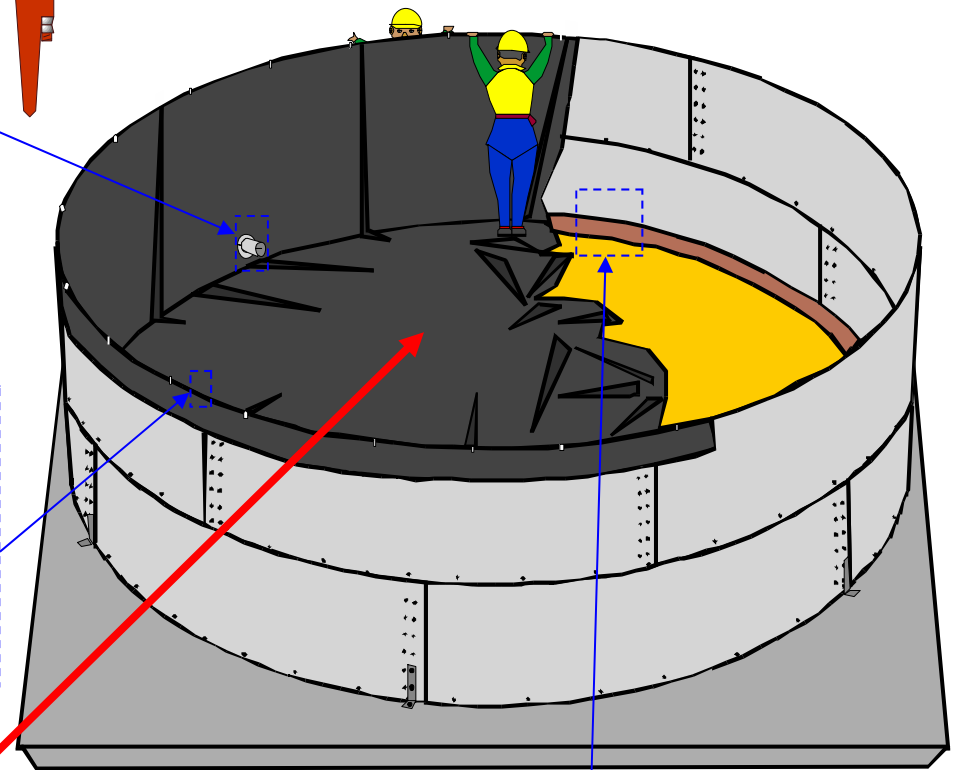
# INSTALLING THE LINER

## Outlet and gate valve optional



use hammer to mark liner where hole will be cut

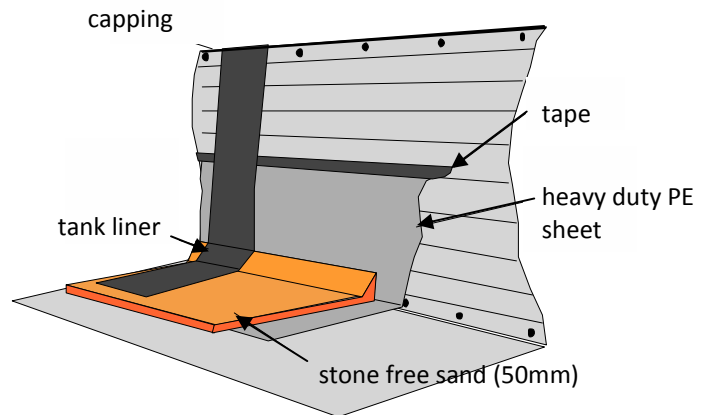
tighten outlet with adjustable spanner



Secure liner with capping and straining wire

## When installing the liner.....

- Seams must be vertical
- Folds and overlaps are minimal
- Liner is pushed into the corner when first filling with water
- Overlap on the outside is consistent
- Capping is applied smoothly
- Straining wire is installed



D&H Group.  
 Maple House  
 Hamlin Way  
 Kings Lynn  
 Norfolk  
 PE30 4NG.  
 Tel: (01553) 819590  
 Email: info@dandhgroup.co.uk

